

HA11544

T-77-07-09

High Speed Multiplex Video Switch

Features

- Low cost
- TTL/ CMOS direct interface
- Propagation delay time :
10 ns (Typ)
- Rise-up time (10 % to 90 %) :
9 ns (Typ)
- Power dissipation :
60 mW (Typ)

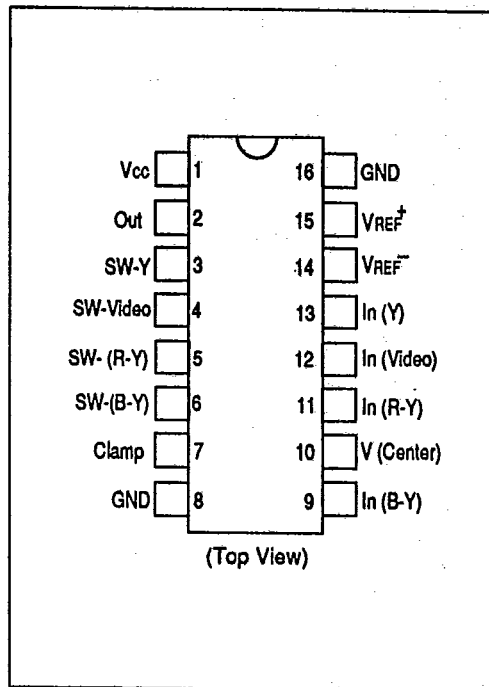
Applications

- Video signal processing

Ordering Information

Type No.	Package
HA11544	DP-16
HA11544FP	SOP-16

Pin Arrangement



HA11544

T-77-07-09

Pin Functions

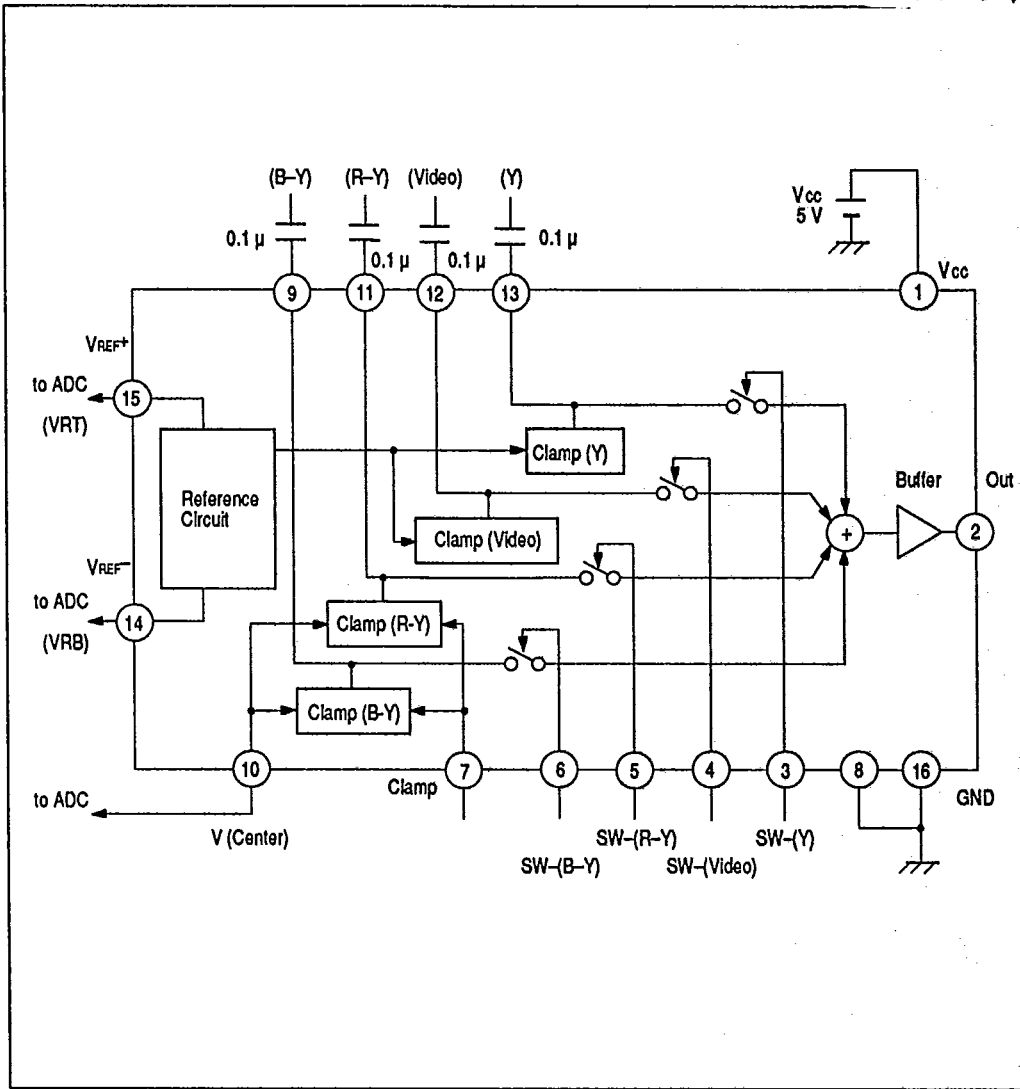
Pin No.	Symbol	Pin Functions
1	Vcc	Vcc (+5 V)
2	Out	Output
3	SW-Y	Y-signal control
4	SW-video	Video-signal control
5	SW-(R-Y)	(R-Y)-signal control
6	SW-(B-Y)	(B-Y)-signal control
7	Clamp	Clamp pulse input
8	GND	Ground
9	In (B-Y)	(B-Y)-signal input
10	V (center)	ADC Vref input (VRM)
11	In (R-Y)	(R-Y)-signal input
12	In (video)	Video-signal input
13	In (Y)	Y-signal input
14	VREF-	ADC Vref input (VRB)
15	VREF+	ADC Vref input (VRT)
16	GND	Ground



HA11544

T-77-07-09

Block Diagram



HA11544

T-77-07-09

Application Information

